

# **VANDAELE®**



## **TV250 WOOD CHIPPER**

# VANDAELE®

## TV250 WOOD CHIPPER



Standard 3-point hitch version



Diesel engine drive non a road trailer

Our first-built, original Vandaele unit.  
For chipping of twigs, branches & stems of any type of wood with maximum diameter of 250mm / 10".  
Available as a tractor driven unit or with its own diesel engine.

The TV250 is unique in its kind because :

- SIMPLE MAINTENANCE
- NO SHARPENING OF THE KNIVES REQUIRED!
- MEETS ALL CE SAFETY REGULATIONS
- OPTIMUM SAFETY
- SAFETY BAR SURROUNDING THE INFEED FUNNEL  
(VANDAELE® patent n° 2003/0590)

Features and benefits of the Vandaele wood chippers:

- Standard equipped with TUNGSTEN-CARBIDE knives and counter knives in sections.
- Sections are easily replaceable
- Renders sharpening and adjusting of the knives superfluous,
- Extreme long life span,
- Noise reduced knife disc, integrated in a wear resistant housing,
- Direct power linkages, no belts or chain drives,
- Robust construction, years of experience incorporated,
- Very big capacity.

This model is proof of many years of Vandaele's strive towards quality and durability. Hundreds of references with contractors, city councils, public services, etc.





TV250 P; Tractor driven, mounted on a single axle slow transportation trailer (optional).



TV250 P; Tractor driven, on a trailer; mounted on a turn table (optional).

## Technical specifications:

### TV250 ;

#### Basic machine:

- Chipper disc ø 1000 mm, equipped with 3 knives in CARBIDE TUNGSTEN,
- Counter knife in CARBIDE TUNGSTEN,
- 2 hydraulically driven infeed rolls with built in pump group, stop – reverse coupling and chip size regulation from 1 to 25 mm,
- High ejector chute with adjustable flap, 3 m high, 300° revolving (EN 13525), on ball-bearing,
- Round wood diameter maximum: 250 mm / 10",
- Infeed opening between the rolls: 320 mm x 250 mm / 12.5" x 10",
- Noise reducing coating
- Centralised greasing for the lower infeed roll.

### TV250 P ;

#### tractor driven:

Standard:

- PTO driven: 1000 RPM
- Number of revolutions of the disc: 1000 RPM,
- 3-point linkage cat. II with extra heavy frame,
- Equipped with PTO-shaft with free wheel,
- Minimum required tractor HP = 60 HP.

Optional:

- Antistress system,
- Trailer on wheels for tractor driven units.
- Transparent flaps in the infeed funnel (extra safety),
- Foldable ejector chute with support,
- Manual winch to lower the ejector chute,

### TV250 D ;

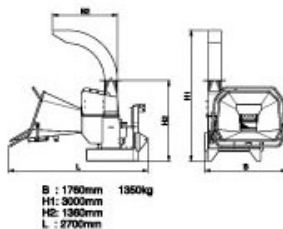
#### diesel engine driven:

Standard:

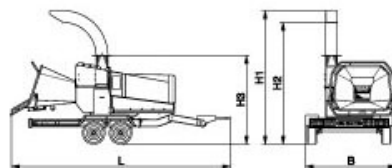
- Number of revolutions of the disc: 1000 RPM
- Built in diesel engine HATZ SILENT PACK, 4L41C, 4 cil, noise reduced, 51.4 kW, 70 HP, with automatic fluid coupling and reduction gear box, direct drive of the chipper disc trough flexible coupling (no belts),
- Battery 12 Volt, battery key, hour meter, and electric fuel gauge indicator, dashboard in closed box,
- Machine on high speed trailer double axle, height adjustable drawbar with DIN eye ø 40 mm or ball hitch, mud guards and lights,
- Mounted on ball bearing and revolving over 360°,
- Classic Antistress system.

Optional:

- Extra noise reduction kit,
- Foldable ejector chute with support,
- Manual winch to lower the ejector chute,
- Antistress system **ADVANCED**,
- Other RAL colour instead of RAL 2011 & 7011,
- Transparent flaps in the infeed funnel (extra safety).



B : 1780mm  
H1: 3000mm  
H2: 1900mm  
L : 2700mm  
1950kg



B : 1950mm  
H1: 3260mm  
H2: 3030mm  
H3: 2600mm  
L : 5240mm  
2580kg



TV250 P; 3-point version, 2 x 90° turn able execution (optional).



TV250 P; Special built unit according to customer's needs – Electro engine driven, built inside a container.



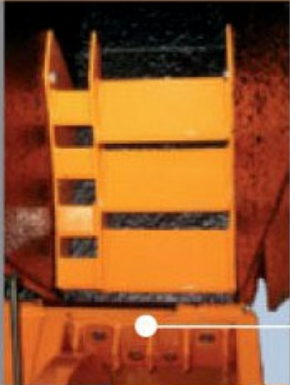
TV250 D; The reference for professional users since over 20 years (picture from mid eighties).



TV250 P; The large infeed opening, combined with an aggressive infeed system guarantees high productivity.



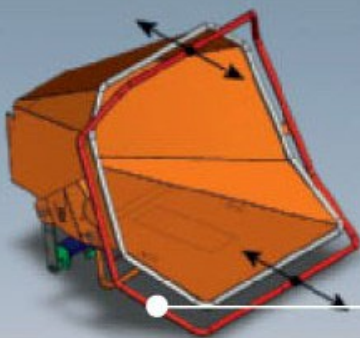
[www.vandaele-chippers.eu](http://www.vandaele-chippers.eu)



System for chips calibration (optional)



540 RPM reduction gearbox (optional)



Optimum operator safety system: safety bar wrapped around the entire infed funnel (VANDAELE® patent)



The Vandaele® products have been developed and produced in accordance with the ISO 9001 : 2000 quality management system.